

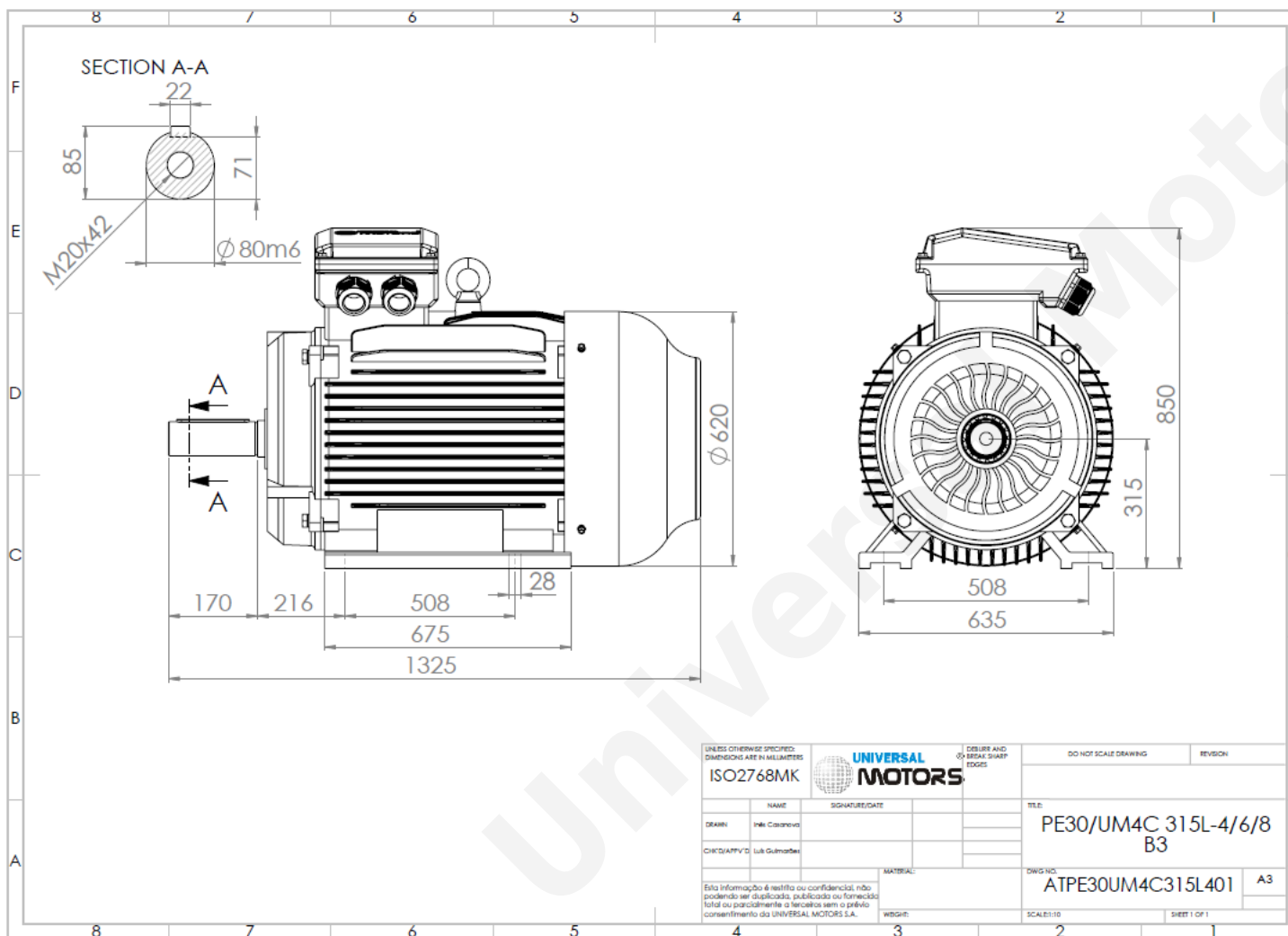
# TECHNICAL DATA

Three Phase Electric Motors - Cast Iron Frame

PE30 315L2-8

110 kW / 150 Cv

735 RPM



Motor type:	<b>PE30 315L2-8</b>
Output:	<b>110 kW / 150 Cv</b>
Speed (min <sup>-1</sup> ):	<b>735 RPM</b>
Frequency:	<b>50 Hz</b>
Voltage:	<b>400 V</b>
Current:	<b>206.6 A</b>
Power factor (Cos Ø):	<b>0.82</b>
Poles:	<b>8</b>
Insulation class:	<b>F</b>
Temperature rise Class:	<b>B</b>
Efficiency 50%:	<b>92.0 %</b>
Efficiency 75%:	<b>94.5 %</b>
Efficiency 100%:	<b>93.7 %</b>
Torque:	<b>1426 N.m</b>
Tstarting/Tnominal:	<b>1.8</b>
Istarting/Inominal:	<b>6.4</b>
Tmaximum/Tnominal:	<b>2.0</b>
Noise:	<b>82 Db(A)</b>
Weight:	<b>1285 Kg</b>
Bearing DE:	<b>NU 319</b>
Bearing NDE:	<b>6319 C3</b>

UNLESS OTHERWISE SPECIFIED DIMENSIONS ARE IN MILLIMETERS		UNIVERSAL MOTORS		DESURE AND OR BREAK SHARP EDGES		DO NOT SCALE DRAWING		REVISION	
ISO2768MK									
NAME	SIGNATURE/DATE			TITLE:					
DESIGN				PE30/UM4C 315L-4/6/8					
CH/DI/APP/VD				B3					
MATERIAL:				DRAWING NO:					
Esta informação é restrita ou confidencial; não podendo ser divulgada, publicada ou fornecida total ou parcialmente a terceiros sem o prévio consentimento da UNIVERSAL MOTORS S.A.		WEIGHT:		SCALE:1:10		SHEET 1 OF 1		A3	

Regime - S1

Altitude - 1000m

Environment Temperature - 40°C

## CONTACTS:

UNIVERSAL MOTORS Tel: +351 252 299 080  
 Rua de São Brás,745 Fax: +351 252 299 089  
 4480-782 VILA DO CONDE Mail: [geral@universalmotors.pt](mailto:geral@universalmotors.pt)

\* References applied only in the UK